

Figure 2A

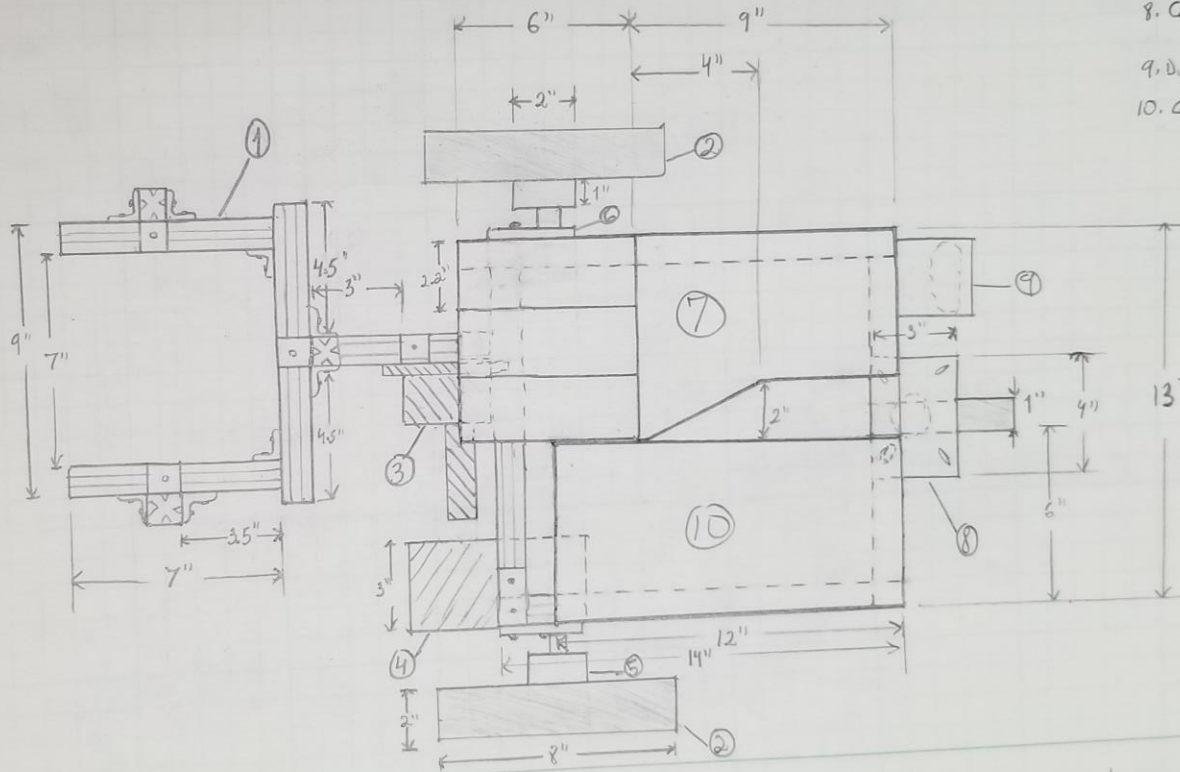
Top view; Entire design

1"

wheel

motor

80/20



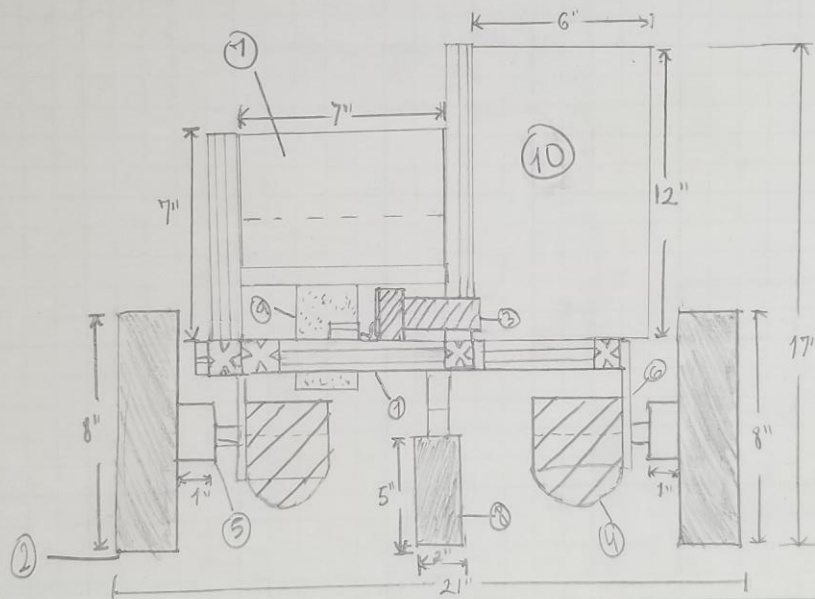
1. Bucket grabber
2. 8" wheel
3. 4.5 RPM globe motor
4. 85 RPM Cytron motor
5. wheel hub
6. Motor mount
7. Hopper
8. Caster wheel
7" x 1"
9. Dumping mechanism
10. Control box

Lucas Gusman

Figure 2C

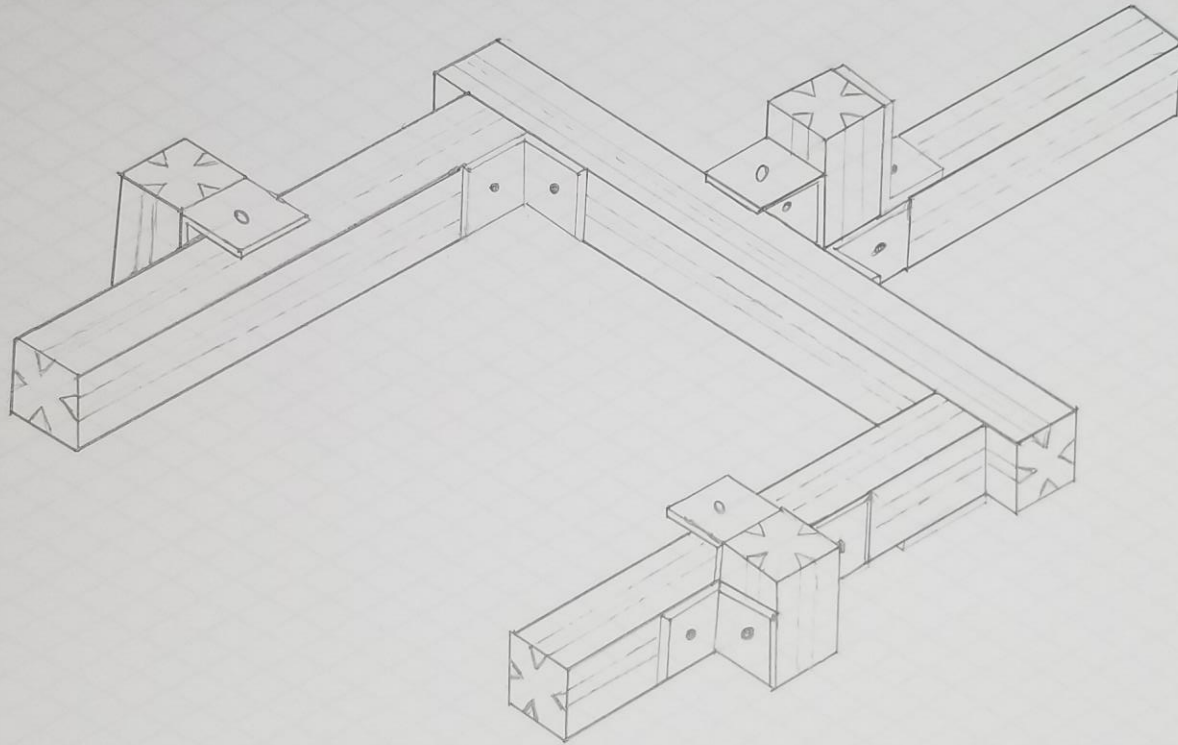
Front view : Entire Design

1. Bucket grabber
2. 8" wheel
3. 4.5 RPM globe motor
4. Cytron 85 RPM motor
5. wheel hub
6. motor mount
7. hopper
8. Caster wheel 7" x 2"
9. Dumping mechanism
10. Control box



Lucas Gusman

Figure 2G

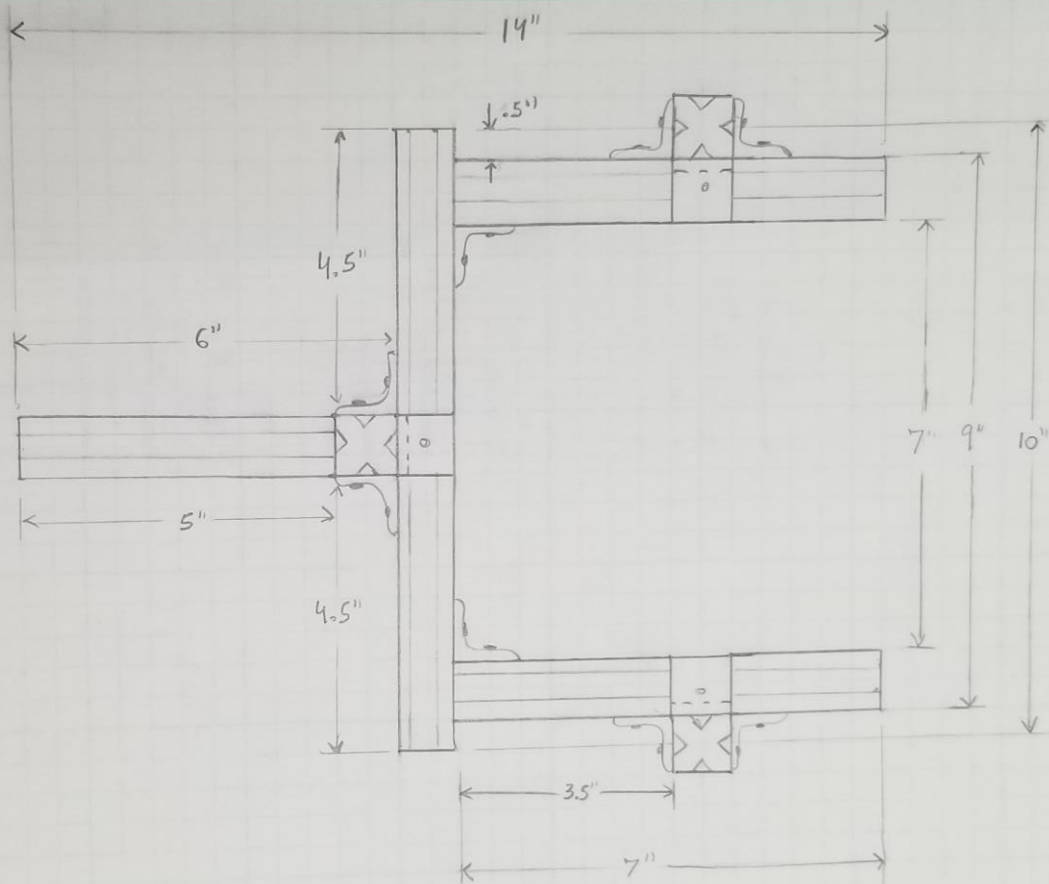


1"

Lucas Gusman

Figure 2E

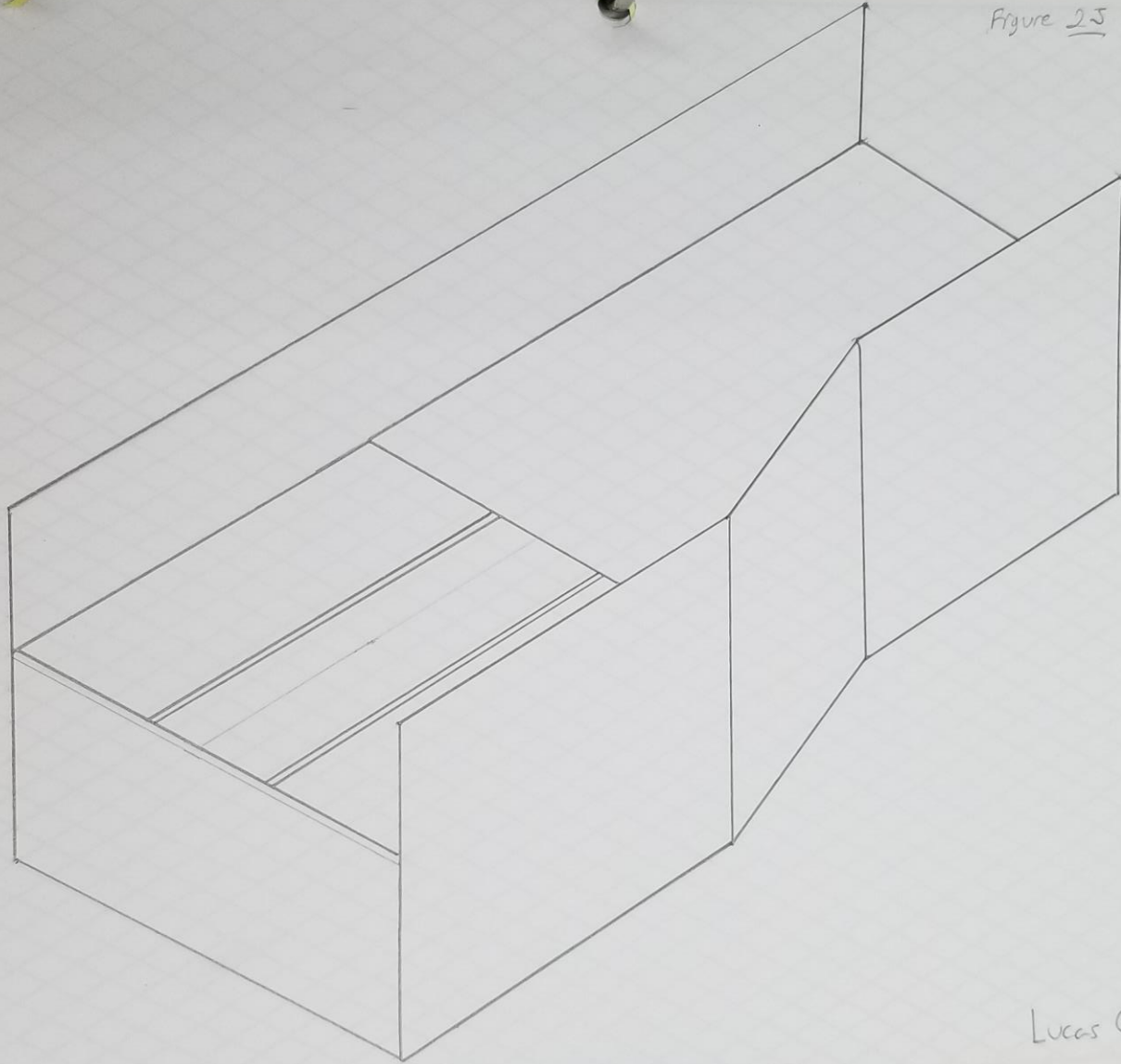
Top View



1"

Lucas Gusman

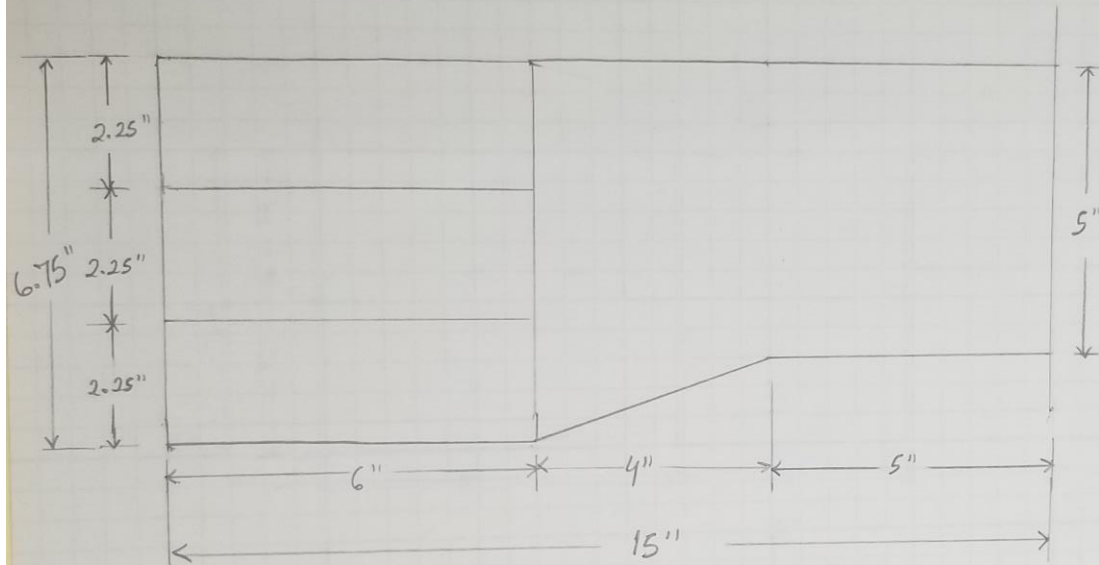
Figure 25



Lucas Gusman

Figure 2H

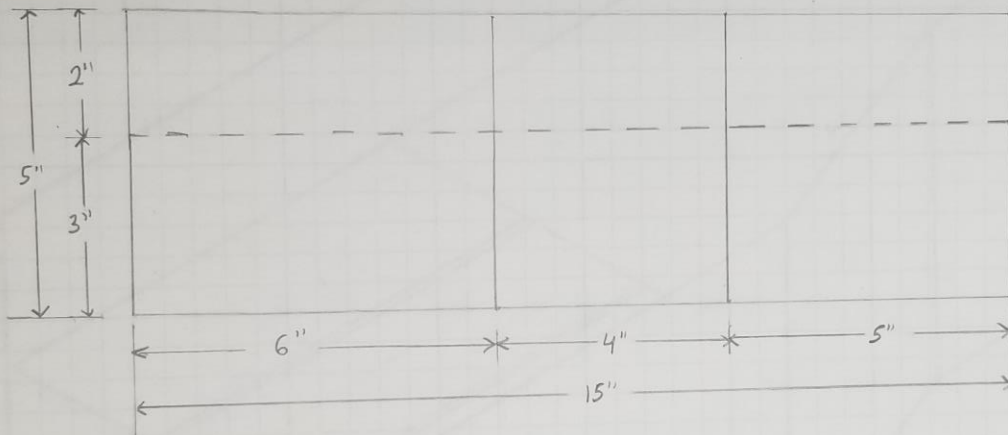
Top view: Hopper



Lucas Gusman

Figure 2 I

Side View: Hopper



Lucas Gusman